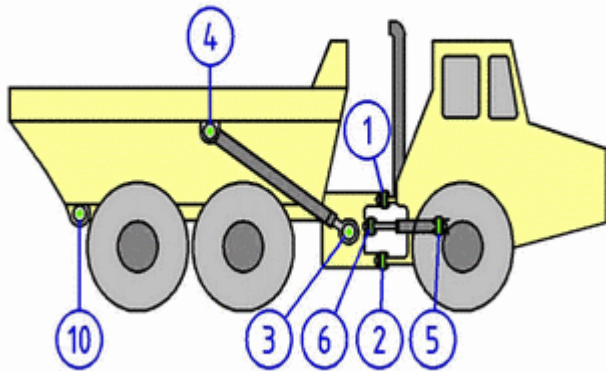


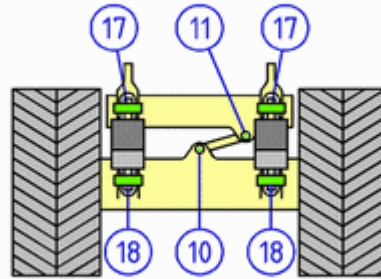
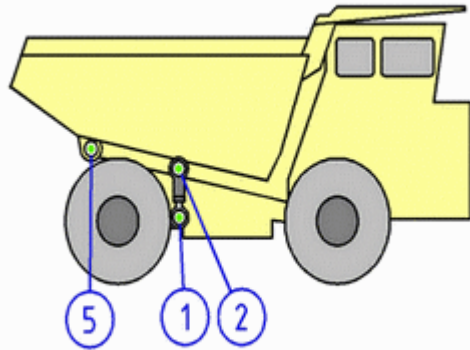


Articulated trucks type D1M



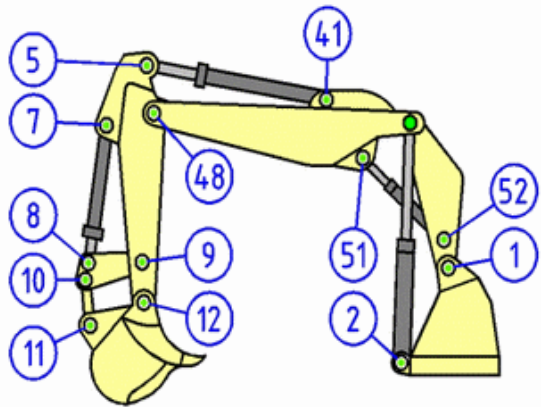
- D1M.01 Hitch pin upper.
- D1M.02 Hitch pin lower.
- D1M.03 Lifting cylinder mounting lower.
- D1M.04 Lifting cylinder mounting upper.
- D1M.05 Steering cylinder mounting front.
- D1M.06 Steering cylinder mounting rear.
- D1M.07 Pivot mounting wheel axle
- D1M.09 Link arm/ Rear axle
- D1M.10 Platform body mounting
- D1M.11 Hitch pin
- D1M.12 Suspension link bogie

Off highway trucks type D2S

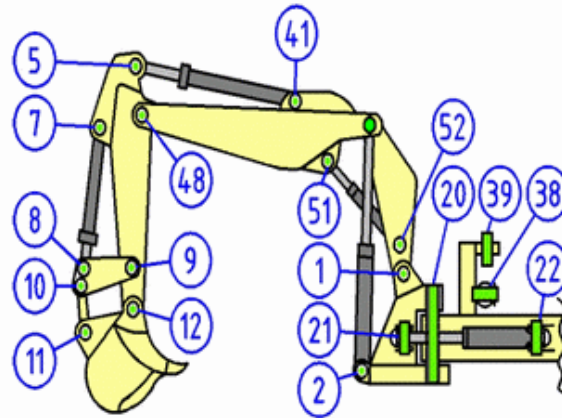


- D2S.01 Lifting cylinder mounting lower.
- D2S.02 Lifting cylinder mounting upper.
- D2S.03 Steering cylinder mounting outer.
- D2S.04 Steering cylinder mounting inner.
- D2S.05 Platform body mounting
- D2S.06 Pivot mounting wheel axel
- D2S.07 Frame/ Connecting link connecting rod.
- D2S.08 Connecting link/ Connecting rod
- D2S.10 Stabilizer link/ Rear axle
- D2S.11 Frame/ Stabilizer link
- D2S.12 H-Frame
- D2S.13 Front shock absorber mounting upper
- D2S.14 Front shock absorber mounting lower
- D2S.15 Rear shock absorber mounting
- D2S.16 A-Frame
- D2S.17 Damper cylinder wheel axle, upper
- D2S.18 Damper cylinder wheel axle, lower

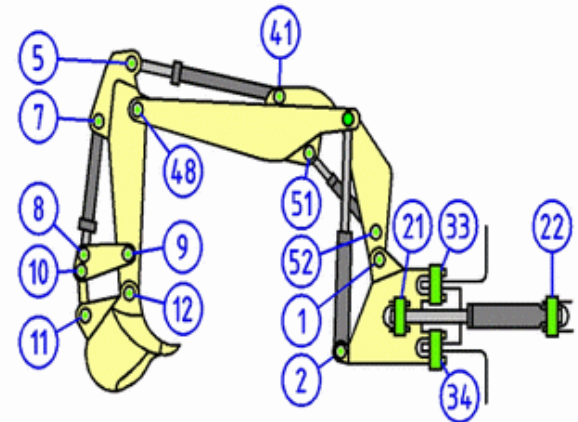
Type E



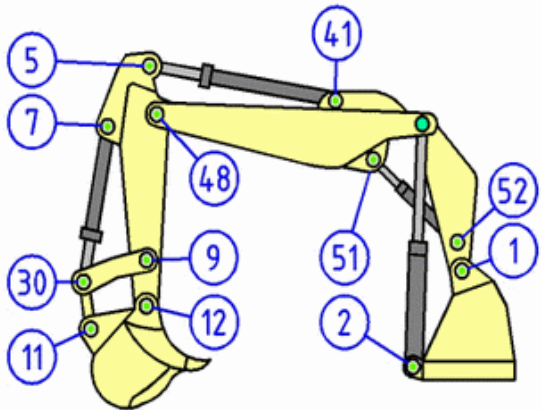
Type E1



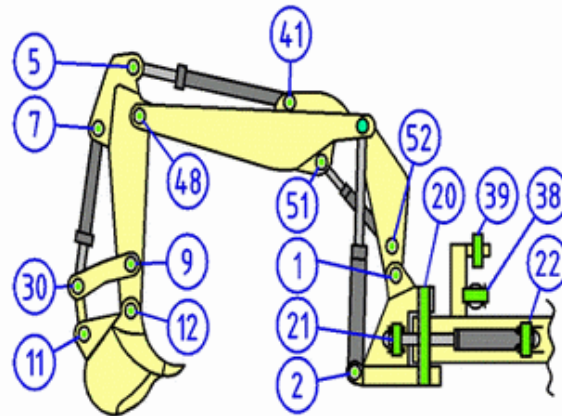
Typ E2



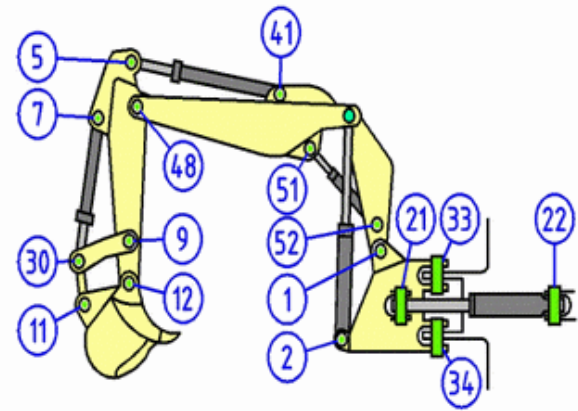
Type F



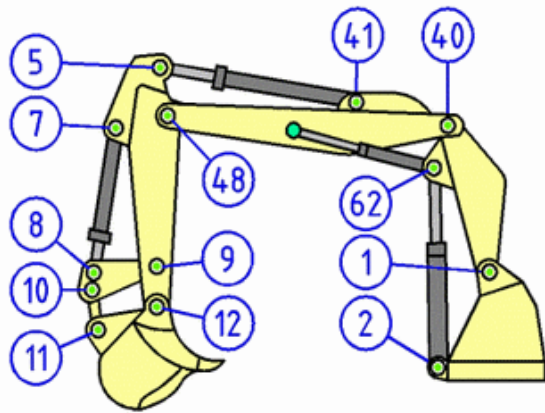
Type F1



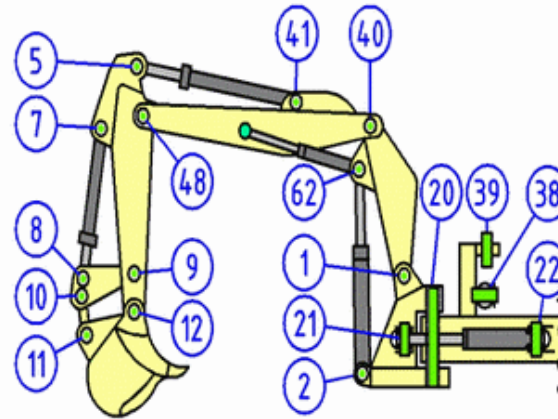
Typ F2



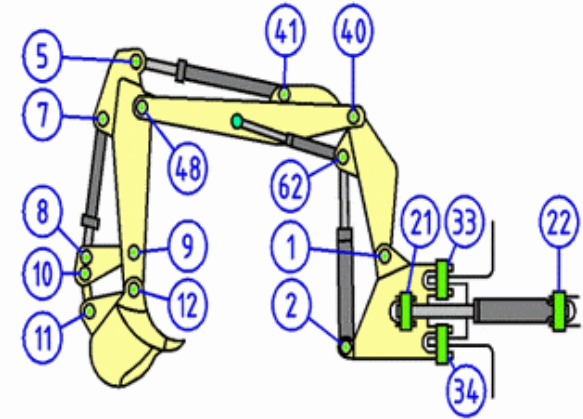
Type G



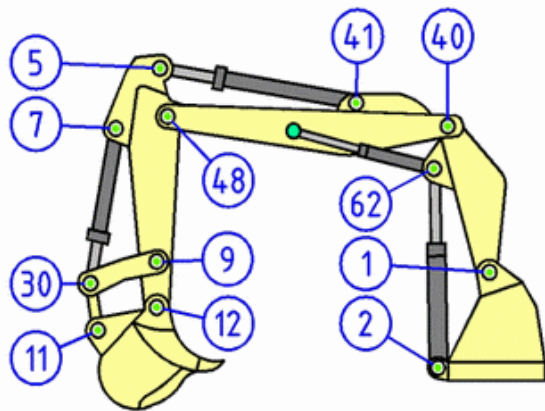
Type G1



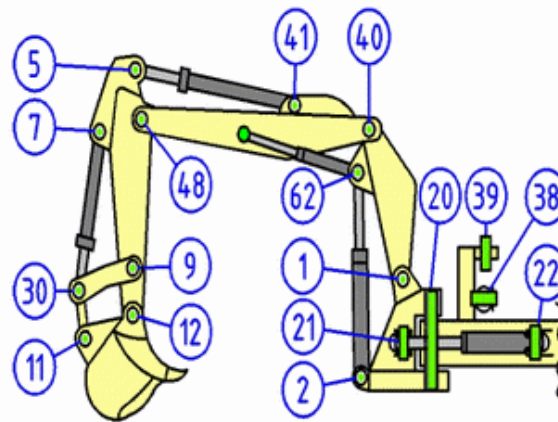
Type G2



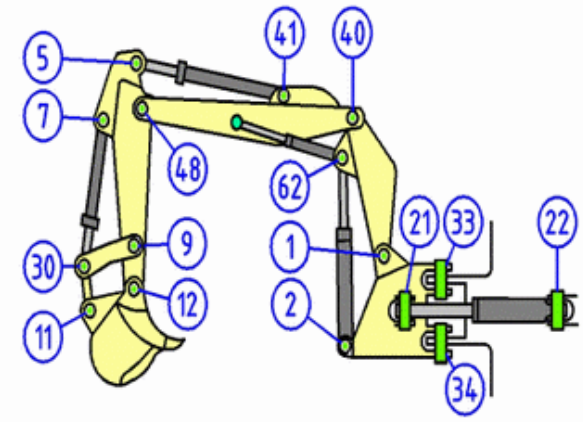
Type H



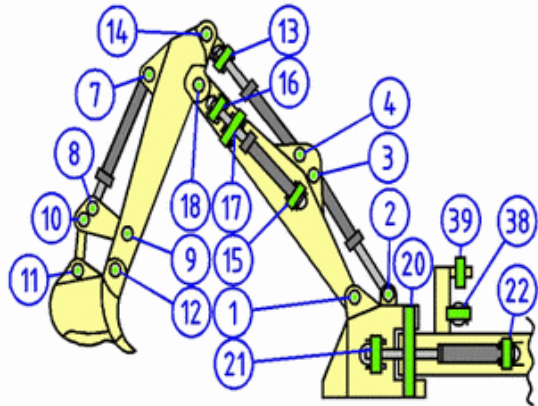
Type H1



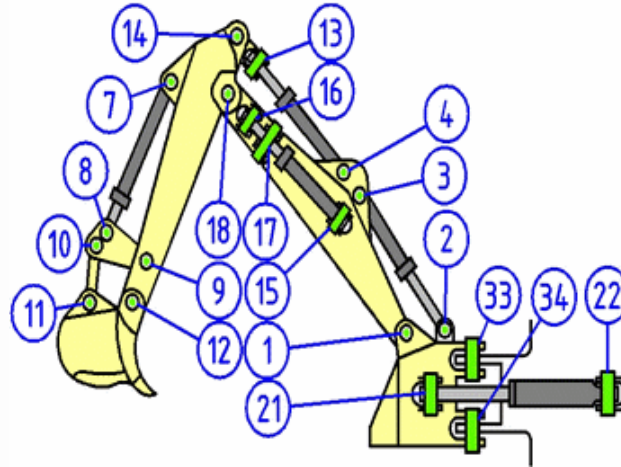
Type H2



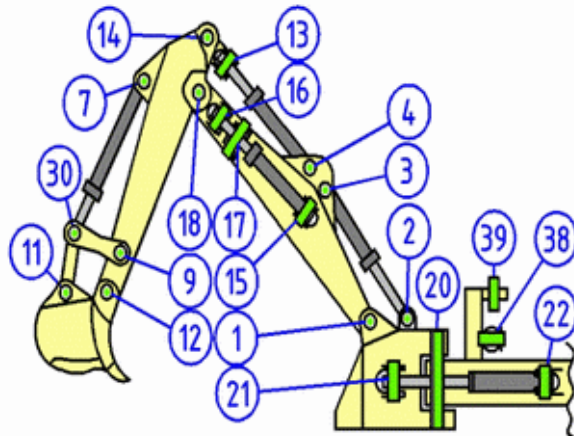
Type I1



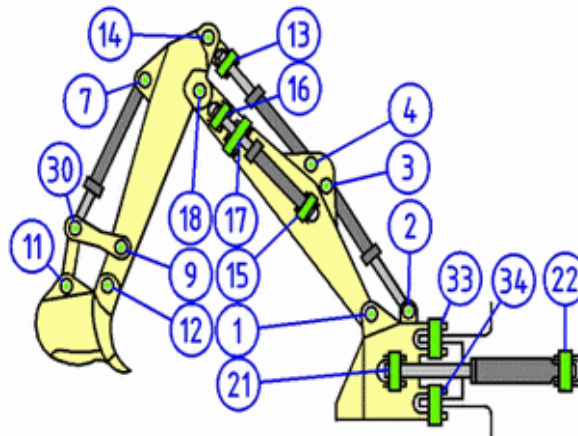
Type I2



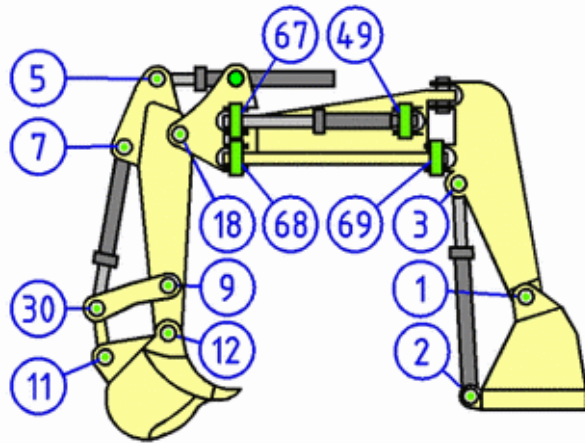
Type J1



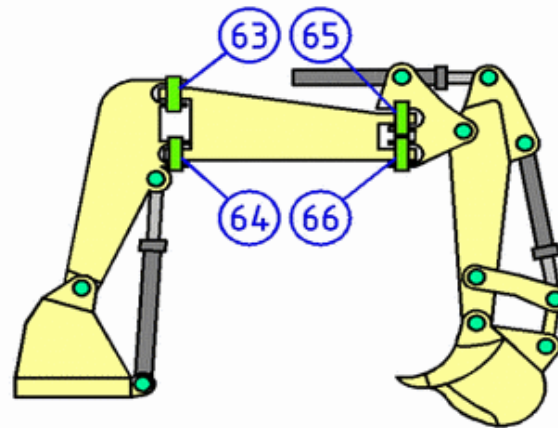
Type J2



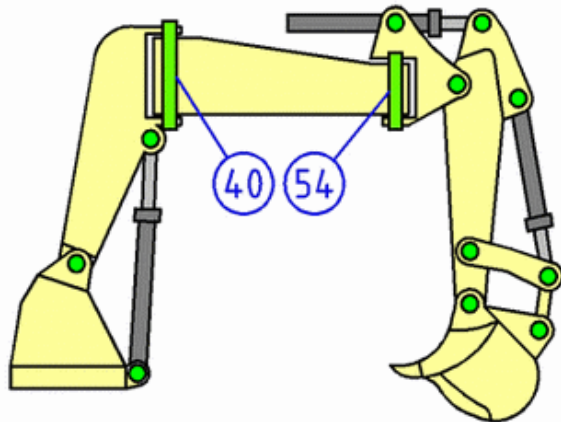
Type K1



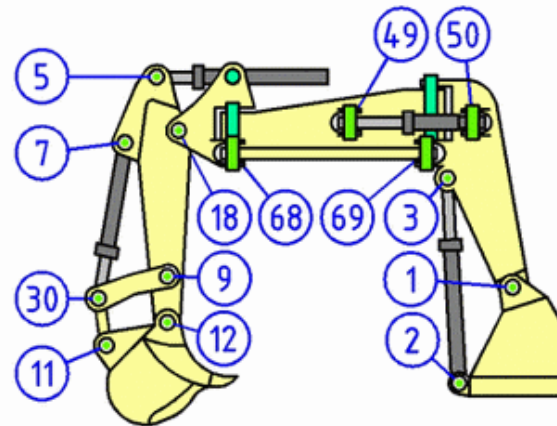
Type K2



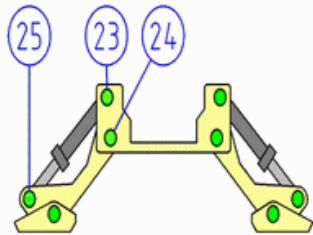
Type L1



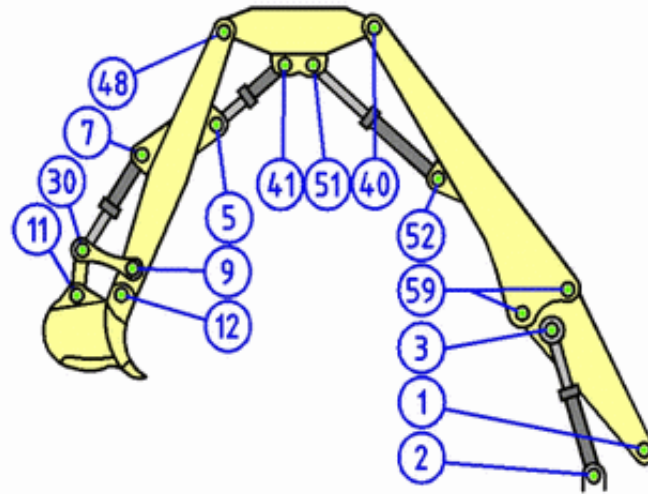
Type L2



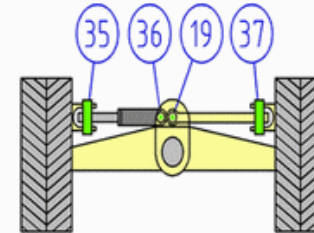
Type M



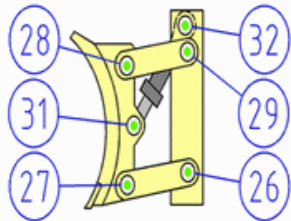
Type N



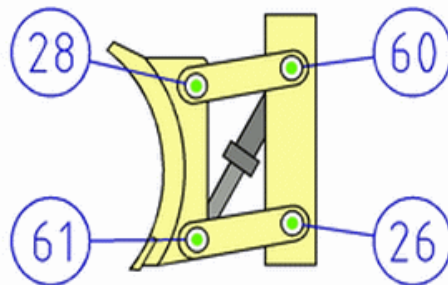
Type O



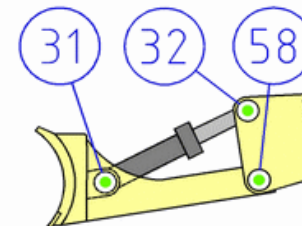
Type P



Type P1



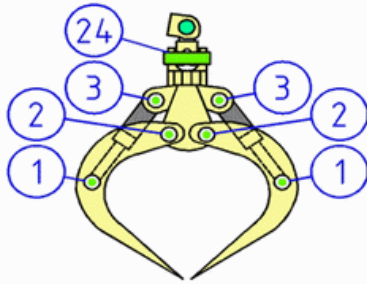
Type P2



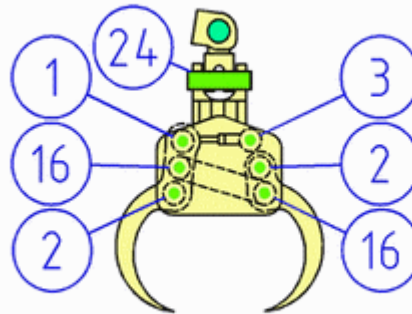
G1.01	Boom mounting	G1.37	Connecting rod mounting
G1.02	Boom cylinder mounting lower.	G1.38	Sideshift cylinder.
G1.03	Boom cylinder mounting upper.	G1.39	Digging stand mounting lower
G1.04	Shaft cylinder/ Boom	G1.40	Boom/ Middle boom
G1.05	Shaft cylinder/ Shaft	G1.41	Shaft cylinder/ Middle boom
G1.06	Boom/ Shaft	G1.42	Boom/ Pivot upright
G1.07	Bucket cylinder/ Shaft	G1.43	Boom/ Pivot pin
G1.08	Bucket cylinder/ Lever	G1.44	Pivot pin/ Shaft cylinder
G1.09	Lever/ Shaft	G1.45	Bucket cylinder/ Bucket
G1.10	Lever/ Break link	G1.48	Middle boom/ Shaft
G1.11	Break link/ Bucket	G1.49	Tilt cylinder/ Middle boom
G1.12	Shaft/ Bucket	G1.50	Tilt cylinder/ Boom
G1.13	Shaft cylinder/ Pivot pin	G1.51	Middle boom cyl./ Middle boom
G1.14	Pivot pin/ Shaft	G1.52	Middle boom cyl./ Boom
G1.15	Deflection cylinder/ Boom	G1.53	Connecting rod/ Middle boom
G1.16	Deflection cylinder/ Deflection link	G1.54	Middle boom/ Deflection link
G1.17	Boom/ Deflection link	G1.55	Hitch pin
G1.18	Deflection link/ Shaft	G1.56	Middle boom cyl./ Machine frame
G1.19	Pivot mounting wheel axel	G1.58	Dozer blade/ Frame
G1.20	Pivot upright mounting	G1.59	Monoblock locking pin
G1.21	Pivot cylinder/ Pivot upright	G1.60	Dozer blade link/ Lifting cyl/ Frame
G1.22	Pivot cylinder/ Machine frame	G1.61	Dozer blade link/ Lifting cyl/ Dozer blade
G1.23	Stabilizer leg cylinder/ Frame	G1.67	Tilt cylinder/ Deflection link
G1.24	Stabilizer leg	G1.68	Connecting rod/ Deflection link
G1.25	Stabilizer leg cylinder/ Stabilizer leg	G1.70	Crawler pin
G1.26	Dozer blade link/ Frame	G1.71	Stabilizer leg/ Stabilizer pad
G1.27	Dozer blade link/ Dozer blade	G1.72	Heel cylinder/ Heel arm
G1.28	Up. Dozer blade link/ Dozer blade	G1.73	Protrudecylinder mounting/ Shaft
G1.29	Up. Dozer blade link/ Frame	G1.74	Boom cylinder mounting upper./ Shaft cylinder/ Boom
G1.30	Bucket cyl./ Lever/ Break link	G1.75	Boom/ Tilt cylinder/ Connecting rod
G1.31	Lifting cylinder/ Dozer blade		
G1.32	Lifting cylinder/ Frame		
G1.33	Pivot upright mounting upper.		
G1.34	Pivot upright mounting lower.		
G1.35	Steering cylinder mounting outer.		
G1.36	Steering cylinder mounting inner.		

G3. Accessories

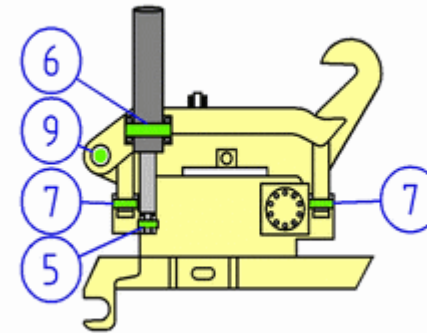
Type A



Type B



Type C

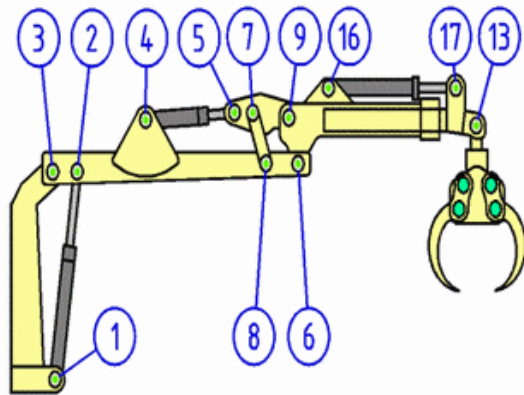


- G3.01 Grapple cylinder/ Grapple
- G3.02 Grapple mounting
- G3.03 Grapple cylinder/ Grapple head
- G3.05 Tilt cylinder/ Bucket holder
- G3.06 Tiltcylinder/ Tilthuvud
- G3.07 Tilt body/ Bucket holder
- G3.08 Outer boom/ Rotator
- G3.14 Tilt cylinder/ Grading bucket
- G3.16 Connecting rod/ Grapple
- G3.17 Grapple/ Unloader arm
- G3.18 Grapple/ Grapple arm
- G3.19 High lift/ **Lyfthuvud**

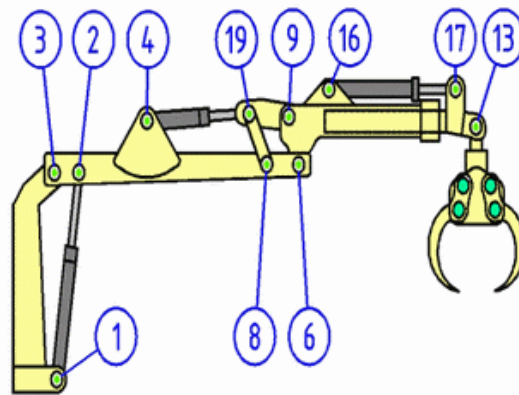
- G3.20 Grapple arm cylinder, rear
- G3.21 Grapple arm cylinder, front
- G3.25 Tilt cylinder/ Shaft
- G3.26 Tilt cylinder/ Grapple head
- G3.27 Stabiliser rod/ Grapple head
- G3.28 Bucket cylinder/ Bucket

K1. Cranes

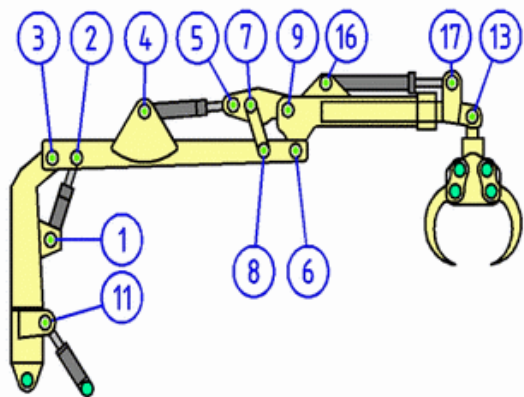
Type A



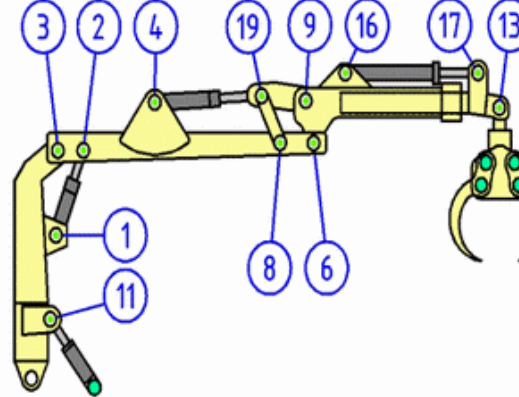
Type A2



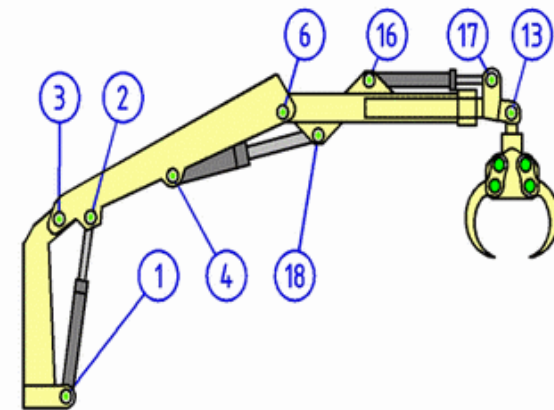
Type B



Type B2

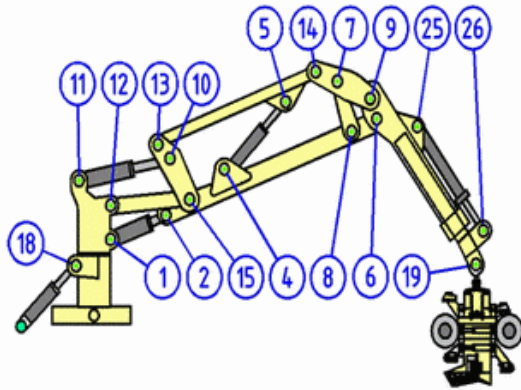


Type C

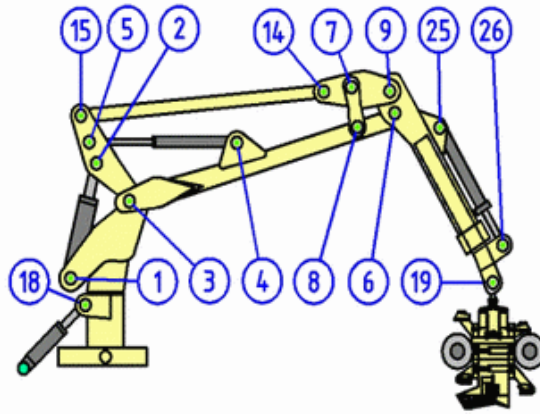


K2. Cranes

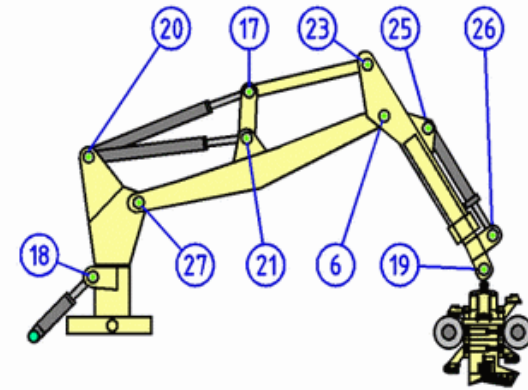
Type A



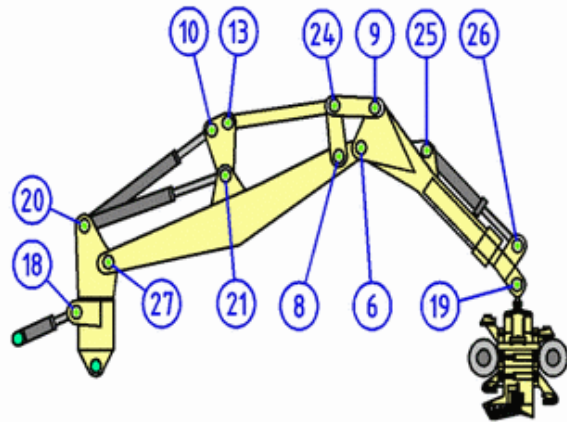
Type B



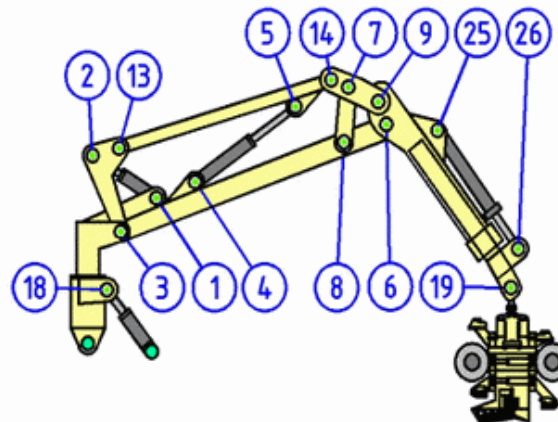
Type C



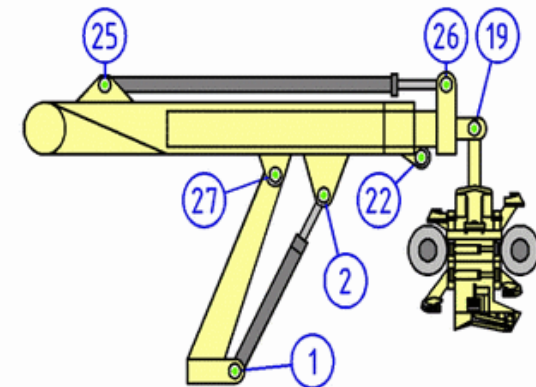
Type D



Type E



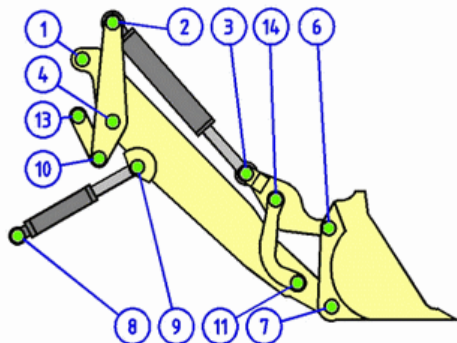
Type F



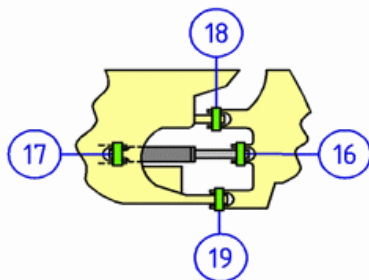
K1.01 Lifting cylinder mounting lower.
K1.02 Lifting cylinder mounting upper.
K1.03 Loader body/ Lifting arm
K1.04 Outer boom cylinder/ Lifting arm
K1.05 Outer boom cylinder/ Break link
K1.06 Lifting arm/ Outer boom
K1.07 Lever/ Break link
K1.08 Lever/ Lifting arm
K1.09 Break link/ Outer boom
K1.10 Tilt cylinder/ Tilt base
K1.11 Tilt cylinder/ Loader body
K1.12 Loader body/ Tilt base
K1.13 Outer boom/ Rotator (Balancer)
K1.14 Grapple cylinder attachment
K1.15 Grapple mounting
K1.16 Extension cylinder inner attachment.
K1.17 Extension cylinder outer attachment.
K1.18 Outer boom cylinder/ Outer boom
K1.19 Outer boom cylinder/ Lever/ Break link
K1.20 Tilt base mounting/ Frame
K1.21 Tilt cylinder/ Tilt base
K1.24 Support roller
K1.25 Outer boom/ Swing damping
K2.01 Inner boom cylinder lower attachment
K2.02 Inner boom cylinder upper attachment
K2.03 Loader body/ Link arm/ Lifting arm
K2.04 Tilt cylinder rear
K2.05 Tilt cylinder front
K2.06 Lifting arm/ Outer boom
K2.07 Lever/ Break link
K2.08 Lever/ Lifting arm
K2.09 Break link/ Outer boom
K2.10 Parallel cylinder/ Lever mounting rear
K2.11 Parallel cylinder/ Loader body
K2.12 Loader body/ Link arm
K2.13 Parallel link/ Lever mounting rear

K2.14 Parallel link/ Break link
K2.15 Link arm/ Lever mounting rear/ Lifting arm
K2.16 Tilt base mounting/ Frame
K2.17 Parallel cylinder lever mounting rear/ Parallel link
K2.18 Tilt cylinder/ Loader body
K2.19 Outer boom/ Rotator (Balancer)
K2.20 Loader body/ Prallel cylinder/ Lifting cyl
K2.21 Lifting cyl/ Lifting arm/ Lever
K2.27 Loader body/ Lifting arm

Type E



Type MIA

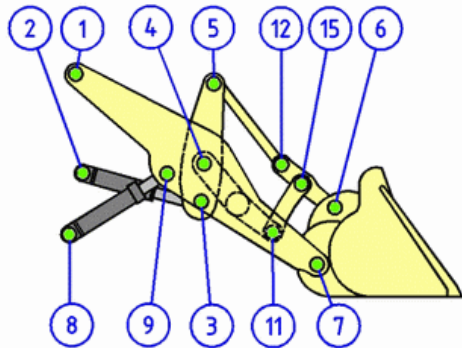


- L1.01 Lifting frame mounting
- L1.02 Tilt cylinder mounting rear.
- L1.03 Tilt cylinder mounting front.
- L1.04 Lever arm/ Lifting frame
- L1.05 Tilt link/ Lever arm
- L1.06 Upper bucket mounting
- L1.07 Lower bucket mounting
- L1.08 Lifting cylinder mounting rear
- L1.09 Lifting cylinder mounting front
- L1.10 Lever arm/ Connecting rod
- L1.11 Lever/ Lifting frame
- L1.12 Lever/ Rear tilt link
- L1.13 Machine frame/ Connecting rod
- L1.14 Lever/ T-link
- L1.15 Tilt link/ Lever
- L1.16 Steering cylinder mounting front.
- L1.17 Steering cylinder mounting rear.
- L1.18 Hitch pin upper.
- L1.19 Hitch pin lower.

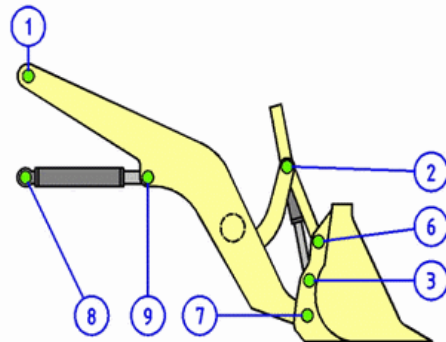
- L1.20 Pivot mounting wheel axel
- L1.21 Stabiliser cylinder
- L1.22 Tilt cylinder/ Lever/ Tilt link
- L1.23 Tilt cylinder mounting rear.
- L1.24 Tilt cylinder mounting front.
- L1.25 Accessories carrier upper.
- L1.26 Accessories carrier lower.
- L1.27 Waist stabiliser cylinder, lower
- L1.28 Cabin mounting
- L1.29 Tilt link/ Rear 3-hole link
- L1.30 Tilt link/ **Främre 3-hålslänk**
- L1.31 **Främre 3-hålslänk** / Lifting frame

L2. Loaders

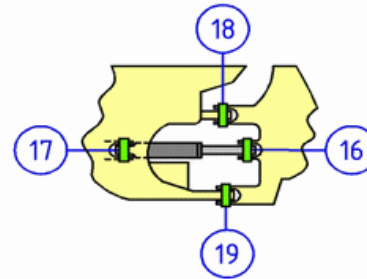
Type A



Type B



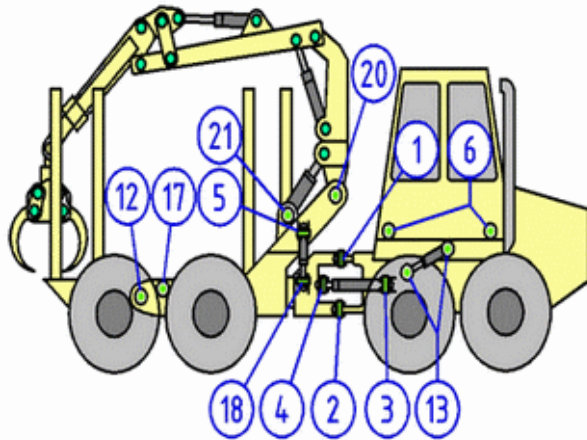
Type MIA



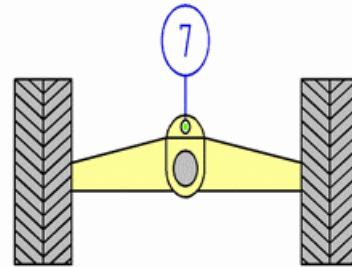
- L2.01 Lifting frame mounting
- L2.02 Tilt cylinder mounting rear.
- L2.03 Tilt cylinder mounting front.
- L2.04 Lever arm/ Lifting frame
- L2.05 Tilt link/ Lever arm
- L2.06 Upper bucket mounting
- L2.07 Lower bucket mounting
- L2.08 Lifting cylinder mounting rear
- L2.09 Lifting cylinder mounting front
- L2.11 Lever/ Lifting frame
- L2.12 Tilt link/ Rear tilt link
- L2.15 Tilt link/ Lever
- L2.16 Steering cylinder mounting front.
- L2.17 Steering cylinder mounting rear.
- L2.18 Hitch pin upper.
- L2.19 Hitch pin lower.
- L2.20 Pivot mounting wheel axel

S1. Forwarder

Type A



Type B

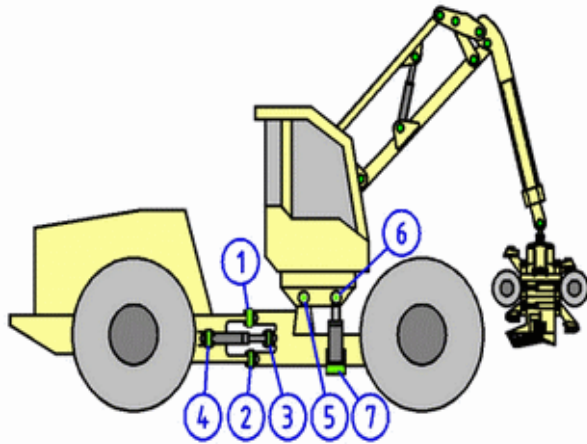


- S1.01 Hitch pin upper.
- S1.02 Hitch pin lower.
- S1.03 Steering cylinder mounting front.
- S1.04 Steering cylinder mounting rear.
- S1.05 Waist stabiliser cylinder upper.
- S1.06 Cabin mounting
- S1.08 Cabin tilt cylinder mounting upper.
- S1.10 Lifting cylinder mounting
- S1.11 Arm mounting
- S1.12 Bogie. Idling gears.
- S1.13 Bogie stabiliser cylinder
- S1.14 Timbergatecylinder
- S1.15 Snowblade cylindermounting

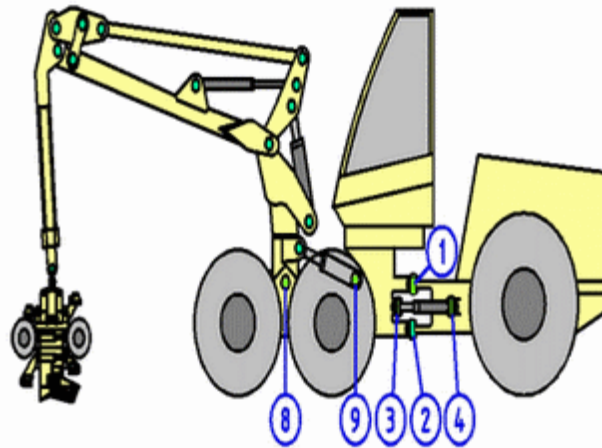
- S1.16 Snowblade mounting
- S1.17 Bogie suspension slider
- S1.18 Waist stabiliser cylinder lower.
- S1.19 Pivot mounting cylinder
- S1.20 Loader body/ Frame
- S1.21 Tilt cylinder/ Frame
- S1.23 Tilt base mounting/ Frame
- S1.24 Steering wagon
- S1.25 Frame/ Steering wagon

S2. Harvesters

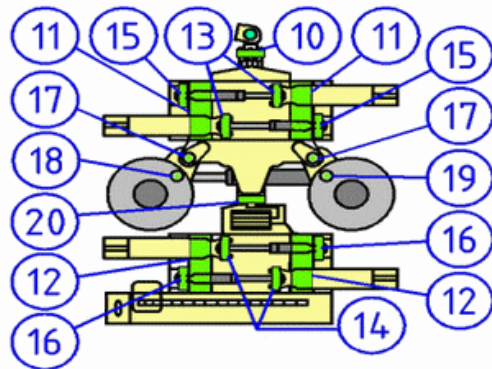
Type A



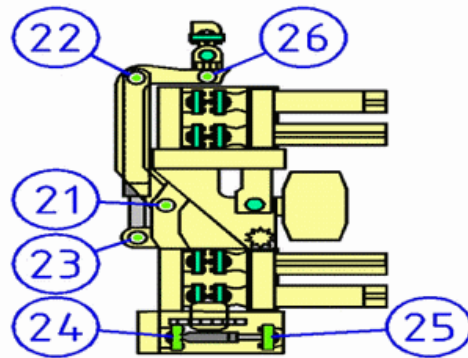
Type B



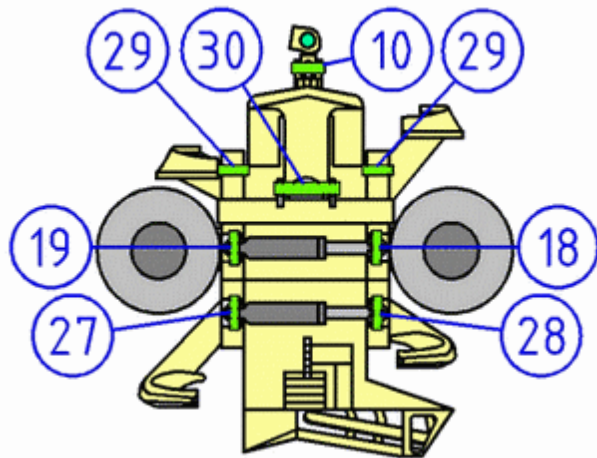
Type C1



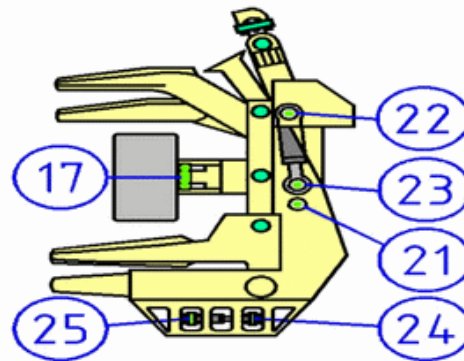
Type C2



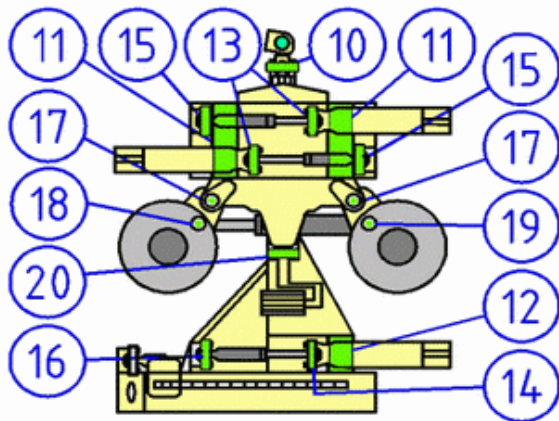
Type D1



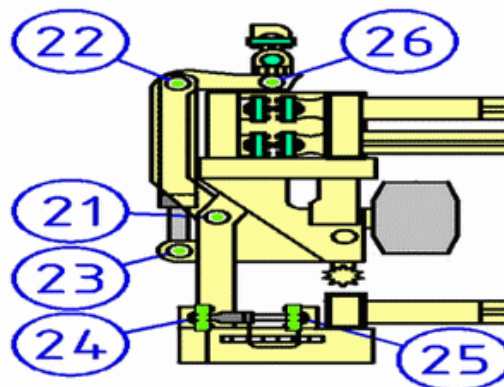
Type D2



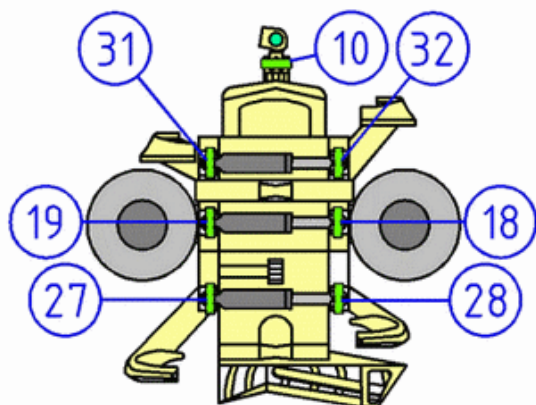
Type E1



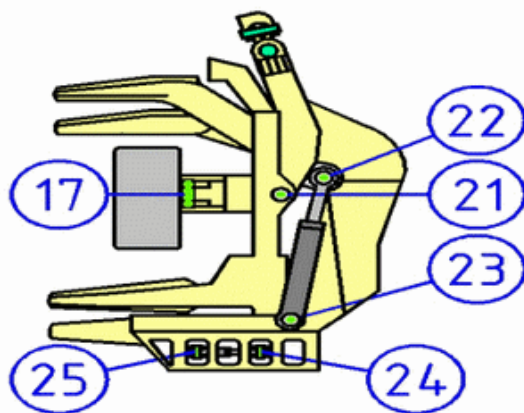
Type E2



Type F1



Type F2

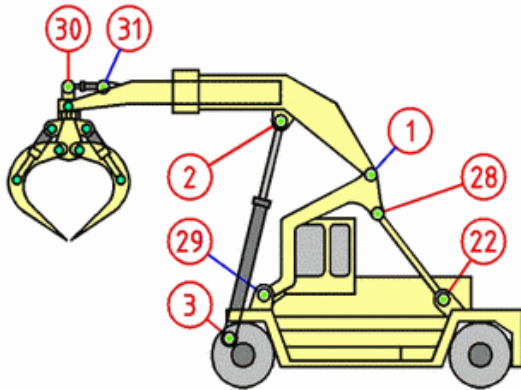


- S2.01 Hitch pin upper.
- S2.02 Hitch pin lower.
- S2.03 Steering cylinder mounting front.
- S2.04 Steering cylinder mounting rear.
- S2.05 Cabin mounting
- S2.06 Cabin tilt cylinder mounting upper.
- S2.07 Cabin tilt cylinder mounting lower.
- S2.08 Turning device/ Frame
- S2.09 Tilt cylinder/ Frame
- S2.10 Rotator mounting
- S2.11 Delimiting knives mounting upper.
- S2.12 Delimiting knives mounting lower.
- S2.13 Grapple cylinder/ Delimiting knives. Upper.
- S2.14 Grapple cylinder/ Delimiting knives. Lower.
- S2.15 Grapple cylinder/ Aggregate. Upper.
- S2.16 Grapple cylinder/ Aggregate. Lower.
- S2.17 Feed arm mounting
- S2.18 Press cylinder/ Feed arm. Pistonside.

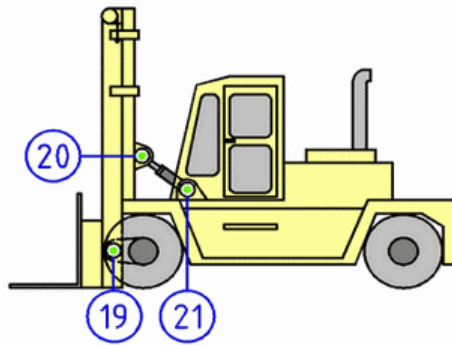
- S2.19 Press cylinder/ Feed arm. Cylinderside.
- S2.20 Measuring wheel arm attachment.
- S2.21 Fell arm/ Aggregate
- S2.22 Fell cylinder mounting upper.
- S2.23 Fell cylinder mounting lower.
- S2.24 Fell saw cylinder/ Aggregate
- S2.26 Rotator/ Fell arm
- S2.29 Upper front Delimiting knife
- S2.30 Top cutter mounting
- S2.33 Parallel cylinder/ Machine frame
- S2.34 Gas container lift
- S2.35 Rotation locking
- S2.36 Hjullyft fram o bak
- S2.37 Wheel lifting cylinder, front
- S2.38 Wheel lifting cylinder, rear
- S2.39 Waist stabiliser cylinder lower.
- S2.40 Waist stabiliser cylinder upper.
- S2.41 Delimiting knives mounting

T1. Industrial trucks

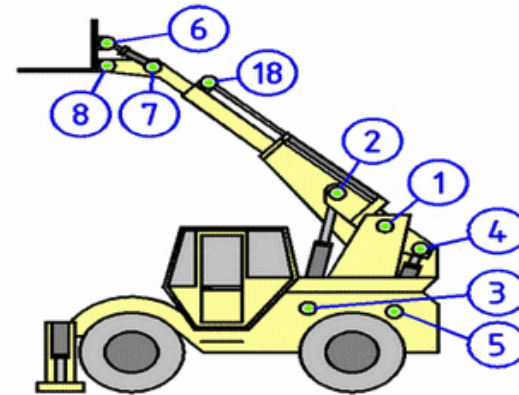
Type A



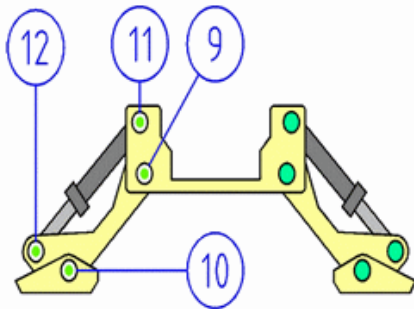
Type B



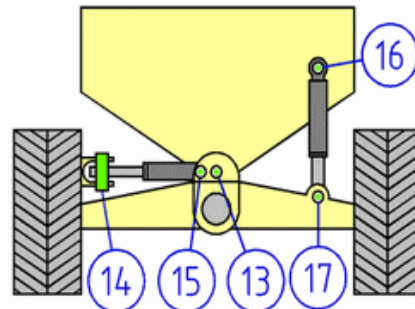
Type C



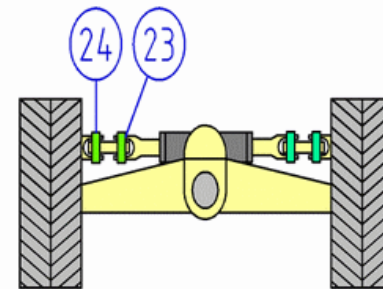
Type D



Type E



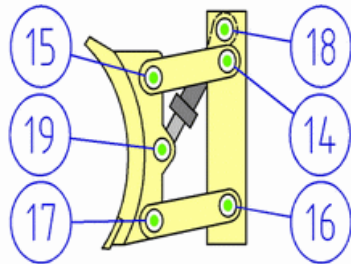
Type F



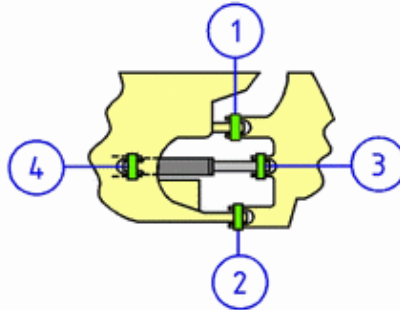
T1.01 Boom mounting
T1.02 Lifting cylinder/ Boom
T1.03 Lifting cylinder/ Frame
T1.04 Parallel cylinder/ Frame. Upper
T1.05 Parallel cylinder/ Frame. Lower
T1.06 Parallel cylinder/ Fork. Upper
T1.07 Parallel cylinder/ Fork. Lower
T1.08 Fork mounting
T1.09 Stabilizer leg
T1.13 Pivot mounting wheel axel
T1.14 Steering cylinder mounting outer.
T1.15 Steering cylinder mounting inner.
T1.16 Level cylinder/ Frame
T1.17 Level cylinder/ Wheel axel
T1.19 Mast mounting
T1.20 Tilt cylinder/ Loader body
T1.21 Tilt cylinder/ Frame
T1.22 Balance rod lower
T1.23 Steering cylinder/ Link arm
T1.24 Link arm/ Steering knuckle
T1.26 **Stockknuff/ Lower link**
T1.27 **Gaffelförskjutningscylinder**
T1.28 Balance rod upper
T1.30 Grapple tilt cylinder/ Grapple
T1.31 Grapple tilt cylinder/ Outer boom

V1. Motor graders

Type SBL



Type MIA



- V1.01 Hitch pin upper.
- V1.02 Hitch pin lower.
- V1.03 Steering cylinder mounting front.
- V1.04 Steering cylinder mounting rear.
- V1.05 Steering cylinder mounting outer.
- V1.06 Steering cylinder mounting inner.
- V1.07 Circle blade mounting
- V1.08 Pitch cylinder/ Circle blade table
- V1.09 Pitch cylinder/ Circle blade
- V1.11 Lifting cyl/ Circle blade table
- V1.12 Sideshift cylinder/ Circle blade
- V1.13 Pivot mounting front wheel axel
- V1.14 Front blade link upper/ Frame
- V1.15 Front blade link upper/ Blade
- V1.16 Front blade link lower/ Frame
- V1.17 Front blade link lower/ Blade

- V1.18 Lifting cylinder mounting upper. Frontblade.
- V1.19 Lifting cylinder mounting lower. Frontblade.
- V1.20 Front blade mounting
- V1.22 Tilt cylinder/ Front blade frame
- V1.23 Tilt link front wheel.
- V1.24 **Lyftcylinderinfästning övre. Strängspridare**
- V1.25 **Lyftcylinderinfästning nedre. Strängspridare**
- V1.26 Connecting rod/ Steering knuckle
- V1.28 **Triangelstagsaxel**
- V1.29 Wheel tilt cylinder
- V1.30 Centre pivot