



HYDRAULIC ROCK BREAKER  
**V2500**



POWER AND  
VERSATILITY  
FOR ALL JOBSITES

DESIGNED FOR 27 TO  
40 TONNES CARRIERS

MAXIMUM IMPACT FORCE  
SINCE THE VERY FIRST BLOW

DEMOLITION, QUARRY,  
MINES AND TUNNELS, MASS  
EXCAVATION, LANDSCAPING,  
RECYCLING... A TOOL WHICH  
FITTED FOR ANY SITUATION

### BENEFITS

- Hydraulic accumulator: no more regular nitrogen controls and recharges on jobsites.
- Automatic lubrication: cartridge grease pump mounted on breaker, or tank mounted on excavator.
- Made in France: superior quality steel and manufacturing excellence.
- Dynamic energy adjustment: two working positions automatically adjusted by the breaker.
- Blank firing protection: increased wear parts lifespan.

## HYDRAULIC ROCK BREAKER

POWER AND VERSATILITY  
FOR ALL JOBSITES

### WEIGHT & DIMENSIONS

#### WEIGHT (KG/LB)

BREAKER	2,185	4,817
+ MOUNTED TOOL	2,39	5,269
+ MOUNTED ADAPTER PLATE (MAX)	2,866	6,318

#### DIMENSIONS (MM)

A	2,124	83.6
B	585	23.03
C	575	23
D	463	18.22
E	100	3.93

### OPERATING INFORMATION

CARRIER WEIGHT RANGE (MIN-MAX, MT)	27-40
OIL FLOW (MIN-MAX, L/MIN / GPM)	185-250 46.3-66.1
MAXIMUM OPERATING PRESSURE (BAR/PSI)	155 2,248
MAXIMUM BACK PRESSURE (BAR/PSI)	25 363
INPUT POWER (KW)	64.6
STRIKING FREQUENCY (MIN-MAX, BPM)	320-560
NOISE LEVEL /10M (DBA)	120
AUTOMATIC LUBRICATION	standard
SOUNDPROOFING	standard
INSPECTION KIT	standard
PRESSURIZATION	preinstalled

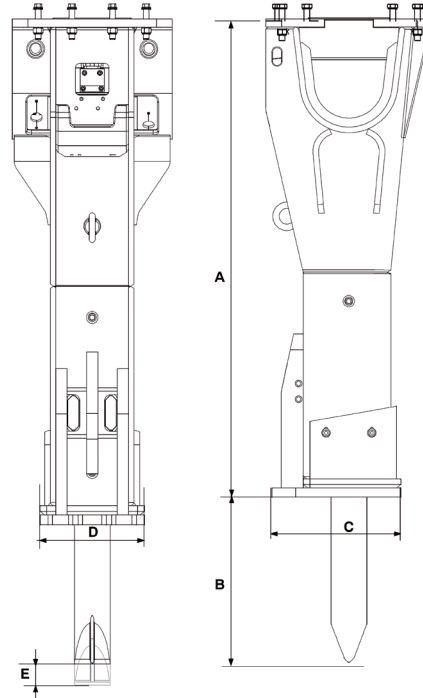
### OPTIONS

#### CPN

PRESSURIZATION KIT	86372505
SOFTSTART	86778792
ADAPTER PLATE	upon request
SPECIAL PAINTING	upon request

### TOOLS

DIAMETER (MM/IN)	160/6.29	160/6.29	160/6.29
LENGTH (MM/IN)	1,350/53	1,350/53	1,350/53
WEIGHT (KG/LB)	194/428	195/430	205/452
CPN	86780046	86780038	86780053



### CONSUMABLES

#### CPN

GREASE CARTRIDGES (X20)	86784758
ABL2 GREASE BUCKET (24 KG)	86772969
ABLF GREASE BUCKET (24 KG)	86772977

### MAINTENANCE KITS

#### CPN

BASIC	86781135
LEVEL 1	86785243
LEVEL 2	86785250



The content of this brochure constitutes non-binding information and may be changed at any time without notice. Montabert gives, and the brochure contains, no warranties whatsoever, express or implied. All the contents, including but not limited to text, images, graphics are all subject to copyright and all intellectual property protection. Their use or misuse is strictly prohibited. Montabert, KMC or Komatsu trademarks used herein are the property of their respective companies. Nothing contained on this document shall be construed as constituting any commitment by Montabert or as granting any license or right to use any intellectual property. ©2019 Montabert. All rights reserved.

[montabert.com](http://montabert.com)

