



HYDRAULIC ROCK BREAKER

V45



CUTTING-EDGE
TECHNOLOGY
RUTHLESS FOR ROCKS

DESIGNED FOR 27 TO
40 TONNES CARRIERS

AUTOMATIC ENERGY PER
BLOW ADJUSTMENT

AUTONOMOUS WORKING
PRESSURE CONTROL

TPS SYSTEM: IMPROVED
TOOL LIFESPAN

BENEFITS

- Hydraulic accumulator: no more regular nitrogen controls and recharges on jobsites.
- Made in France: superior quality steel and manufacturing excellence.
- Operator friendly: blank firing protection, automatic lubrication, energy recovery system, easy maintenance.
- Carrier friendly: anti-vibration dampeners, pressure spikes removal.

HYDRAULIC ROCK BREAKER

CUTTING-EDGE TECHNOLOGY RUTHLESS FOR ROCKS

WEIGHT & DIMENSIONS

WEIGHT (KG/LB)

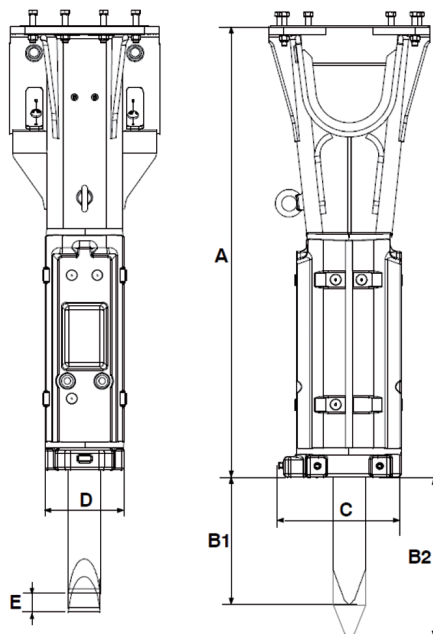
BREAKER	2,065	4,553
+ MOUNTED TOOL	2,258	4,978
+ MOUNTED ADAPTER PLATE (MAX)	2,734	6,027

DIMENSIONS (MM/IN)

A	2,093	82.4
B1	590	23.4
B2	740	29.2
C	568	22.3
D	367	14.4
E	64	2.5

OPERATING INFORMATION

CARRIER WEIGHT RANGE (MIN-MAX, MT)	27-40
OIL FLOW (MIN-MAX, L/MIN / GPM)	180-265 47.6-70
MAXIMUM OPERATING PRESSURE (BAR/PSI)	165 2,393
MAXIMUM BACK PRESSURE (BAR/PSI)	6 116
INPUT POWER (KW)	72.9
STRIKING FREQUENCY (BPM)	345-1,160
NOISE LEVEL /10M (DBA)	96
AUTOMATIC LUBRICATION	standard
SOUNDPROOFING	standard
PRESSURIZATION	preinstalled



OPTIONS

CPN

PRESSURIZATION KIT	86372505
ANTISEISMIC	upon request
ADAPTER PLATE	upon request
SPECIAL PAINTING	upon request

CONSUMABLES

CPN

GREASE CARTRIDGES (X20)	86784758
ABL2 GREASE BUCKET (24 KG)	86772969
ABLF GREASE BUCKET (24 KG)	86772977

MAINTENANCE KITS

CPN

BASIC	86738317
LEVEL 1	86700820
LEVEL 2	86700838

TOOLS

DIAMETER (MM/IN)	150/5.9	150/5.9	150/5.9	150/5.9	150/5.9
LENGTH (MM/IN)	1,350/53.14	1,500/59.05	1,350/53.14	1,500/59.05	1,350/53.14
WEIGHT (KG/LB)	170/375	191/421	172/379	193/425	180/387
CPN	86492246	86593522	86608130	86604931	86492253



The content of this brochure constitutes non-binding information and may be changed at any time without notice. Montabert gives, and the brochure contains, no warranties whatsoever, express or implied. All the contents, including but not limited to text, images, graphics are all subject to copyright and all intellectual property protection. Their use or misuse is strictly prohibited. Montabert, KMC or Komatsu trademarks used herein are the property of their respective companies. Nothing contained on this document shall be construed as constituting any commitment by Montabert or as granting any license or right to use any intellectual property. ©2019 Montabert. All rights reserved.

montabert.com

