



HYDRAULIC ROCK BREAKER

V55



CUTTING-EDGE
TECHNOLOGY
RUTHLESS FOR ROCKS

DESIGNED FOR 35 TO
60 TONNES CARRIERS

AUTOMATIC ENERGY PER
BLOW ADJUSTMENT

AUTONOMOUS WORKING
PRESSURE CONTROL

TPS SYSTEM: IMPROVED
TOOL LIFESPAN

BENEFITS

- Hydraulic accumulator: no more regular nitrogen controls and recharges on jobsites.
- Made in France: superior quality steel and manufacturing excellence.
- Operator friendly: blank firing protection, automatic lubrication, energy recovery system, easy maintenance.
- Carrier friendly: anti-vibration dampeners, pressure spikes removal.

HYDRAULIC ROCK BREAKER

CUTTING-EDGE TECHNOLOGY RUTHLESS FOR ROCKS

WEIGHT & DIMENSIONS

WEIGHT (KG/LB)

| | | |
|-------------------------------|-------|-------|
| BREAKER | 2,765 | 6,096 |
| + MOUNTED TOOL | 3,079 | 6,788 |
| + MOUNTED ADAPTER PLATE (MAX) | 3,593 | 7,921 |

DIMENSIONS (MM/IN)

| | | |
|----|-------|-------|
| A | 2,312 | 91.02 |
| B1 | 644 | 25.3 |
| B2 | 944 | 37.2 |
| C | 649 | 25.55 |
| D | 420 | 16.53 |
| E | 69 | 2.7 |

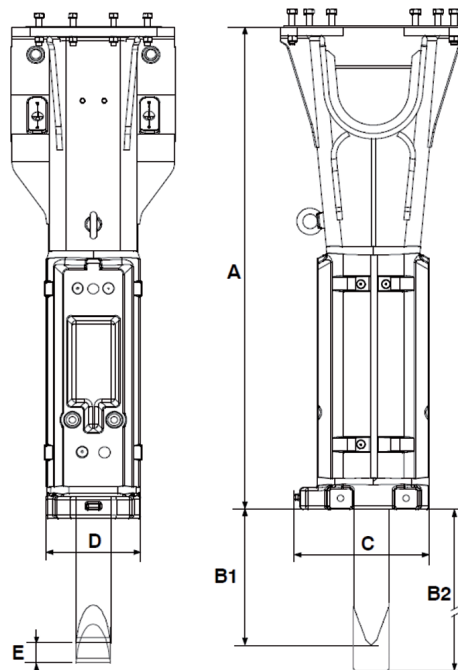
OPERATING INFORMATION

| | | |
|--------------------------------------|--------------|---------|
| CARRIER WEIGHT RANGE (MIN-MAX, MT) | 35-60 | |
| OIL FLOW (MIN-MAX, L/MIN / GPM) | 240-320 | 63.4-85 |
| MAXIMUM OPERATING PRESSURE (BAR/PSI) | 165 | 2,393 |
| MAXIMUM BACK PRESSURE (BAR/PSI) | 8 | 116 |
| INPUT POWER (KW) | 88 | |
| STRIKING FREQUENCY (BPM) | 330-1,045 | |
| NOISE LEVEL /10M (DBA) | 96 | |
| AUTOMATIC LUBRICATION | standard | |
| SOUNDPROOFING | standard | |
| PRESSURIZATION | preinstalled | |

OPTIONS

CPN

| | |
|--------------------|--------------|
| PRESSURIZATION KIT | 86372505 |
| SOFTSTART | upon request |
| ADAPTER PLATE | upon request |
| SPECIAL PAINTING | upon request |



CONSUMABLES

CPN

| | |
|----------------------------|----------|
| GREASE CARTRIDGES (X20) | 86784758 |
| ABL2 GREASE BUCKET (24 KG) | 86772969 |
| ABLF GREASE BUCKET (24 KG) | 86772977 |

MAINTENANCE KITS

CPN

| | |
|---------|----------|
| BASIC | 86687753 |
| LEVEL 1 | 86700804 |
| LEVEL 2 | 86700812 |

TOOLS

| | | | | | |
|------------------|-------------|-------------|-------------|-------------|-------------|
| DIAMETER (MM/IN) | 170/6.69 | 170/6.69 | 170/6.69 | 170/6.69 | 170/6.69 |
| LENGTH (MM/IN) | 1,500/59.05 | 1,500/59.05 | 1,800/70.86 | 1,500/59.05 | 1,800/70.86 |
| WEIGHT (KG/LB) | 241/531 | 246/542 | 299/659 | 257/567 | 314/692 |
| CPN | 86624020 | 86612496 | 86640729 | 86624046 | 86669850 |



The content of this brochure constitutes non-binding information and may be changed at any time without notice. Montabert gives, and the brochure contains, no warranties whatsoever, express or implied. All the contents, including but not limited to text, images, graphics are all subject to copyright and all intellectual property protection. Their use or misuse is strictly prohibited. Montabert, KMC or Komatsu trademarks used herein are the property of their respective companies. Nothing contained on this document shall be construed as constituting any commitment by Montabert or as granting any license or right to use any intellectual property. ©2019 Montabert. All rights reserved.

montabert.com

